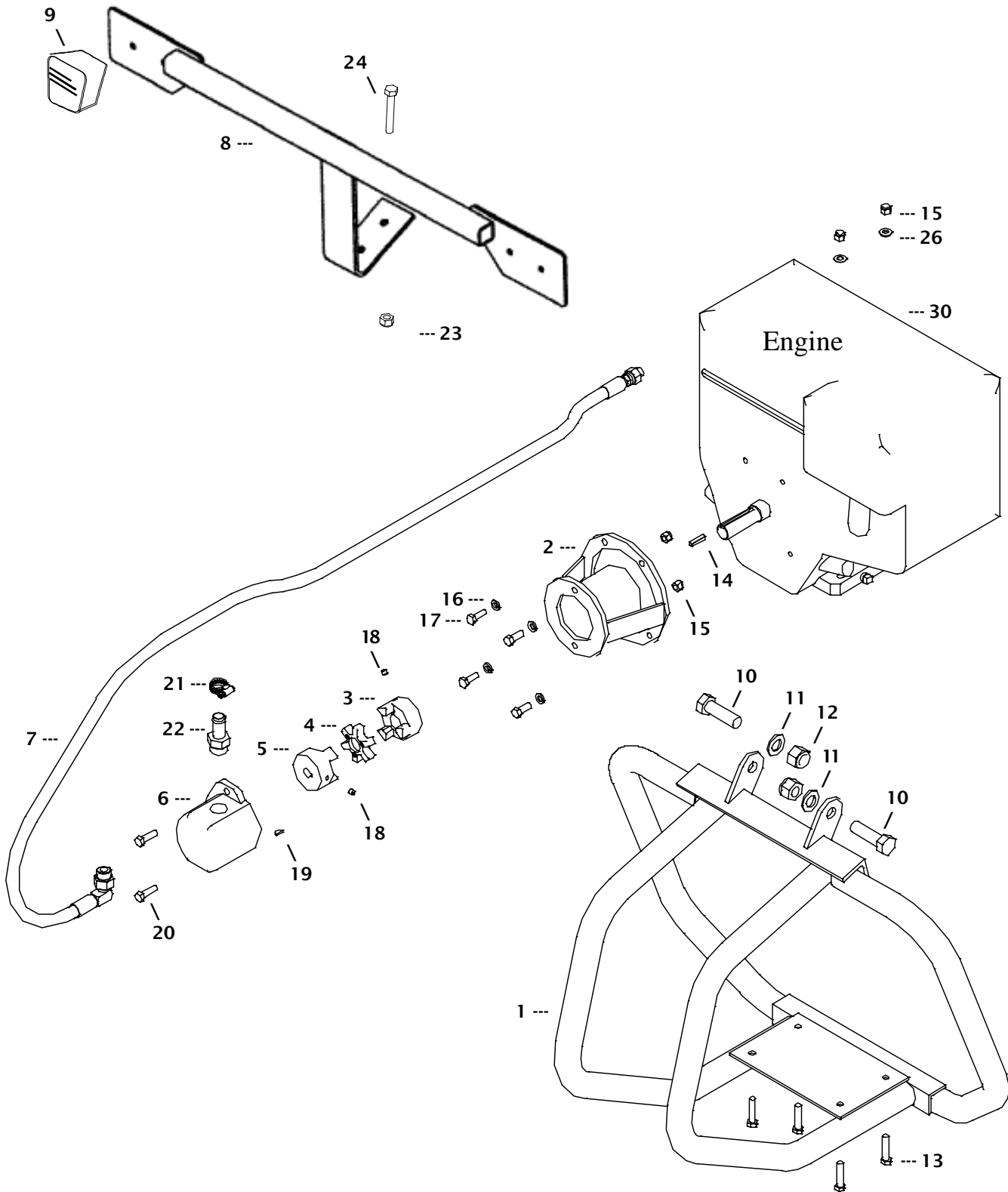


TOWABLE PARTS MANUAL

NOTES:

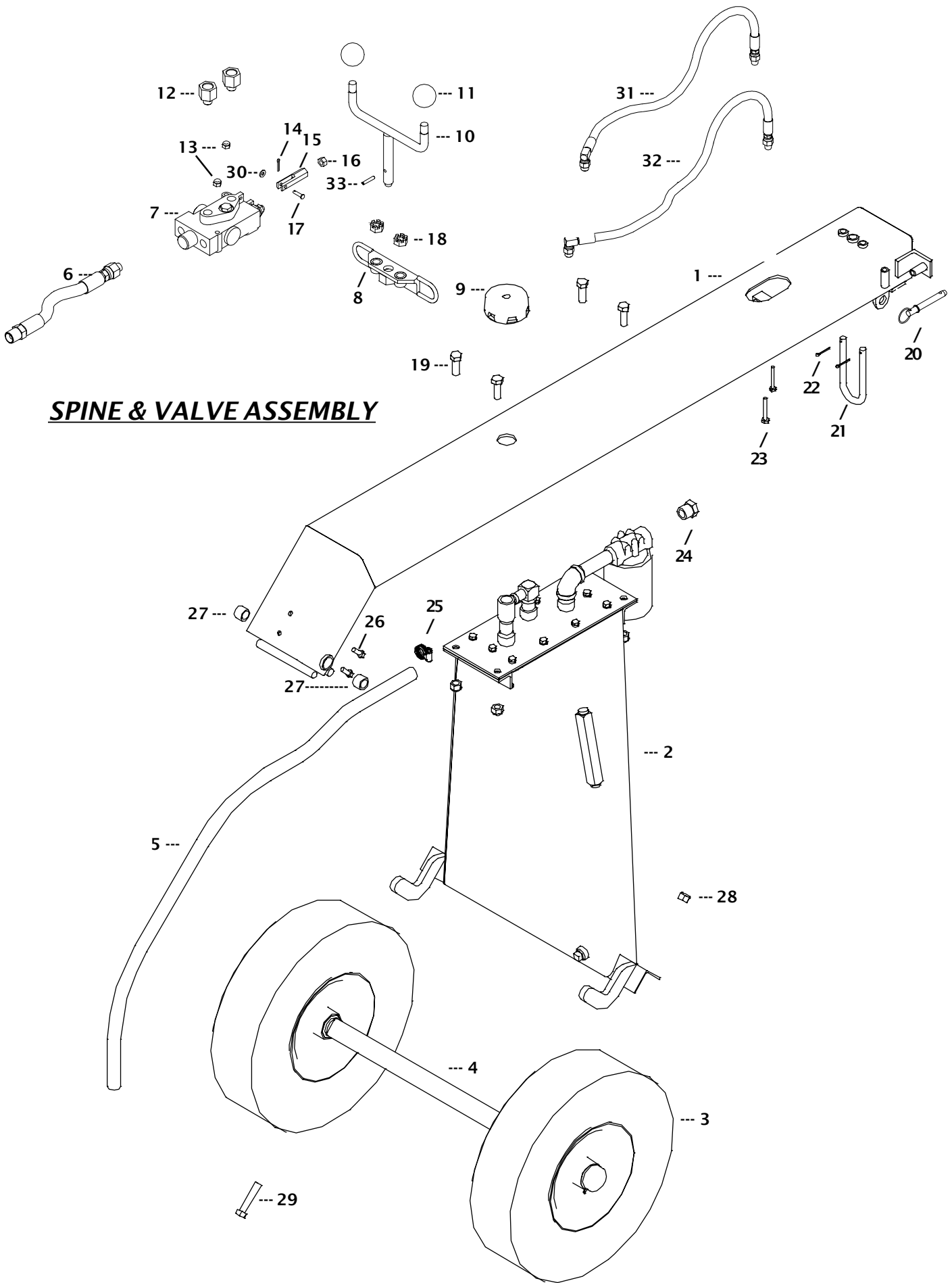
ENGINE FRAME ASSEMBLY



ENGINE FRAME ASSEMBLY

<u>ITEM</u>	<u>PART #</u>	<u>DESCRIPTION</u>	<u>QTY</u>
1	37039	Frame, Engine	1
2	37120	Bracket, Pump	1
3	30268	Flexible Coupling, 1" Bore	1
4	30269	Spider, Flexible Coupling	1
5	30267-58	Flexible Coupling, 5/8" Bore	1
6	30263-D2	Pump, Hydraulic	1
7	37159	Hose Assy. Pump to Valve	1
8	37164	Emblem, SMV ID	1
9	37163	Bracket, SMV Emblem	1
10	37124	Bolt, Hex 3/4 x 2-1/2	2
11	30164	Washer, 3/4 Flat, SAE	2
12	9096	Nut, 3/4 Nylon Lock	2
13	37179	Cap Screw, Socket Head, 3/8 x 1-3/4	4
14	4081	Key, Engine Shaft	1
15	30154	Nut, 3/8 Nylon Lock (pump mounting)	4
16	3012-3	Washer, 3/8 Lock	4
17	3012-2	Bolt, Hex, 3/8 x 1	4
18	30171	Set Screw, 5/16 x 5/16	2
19	30168	Key, Woodruff #505	1
20	9027-8	Bolt, Hex 3/8 x 1-1/4	2
21	30270-3	Clamp, Hose	2
22	37161	Fitting, 1-1/16 x 3/4 Bead	1
23	30204	Nut, 1/4 Nylon Lock	4
24	30318	Nut, 5/16 Nylon Lock	2
25	9024	Bolt, Hex 1/4 x 7/8	2
26	3002-B	Washer, 3/8 Flat, Heavy	4
30	3001-11H	Engine, 11 HP Honda	1
31	9024-1	Bolt, Hex 5/16 x 1	2





SPINE & VALVE ASSEMBLY

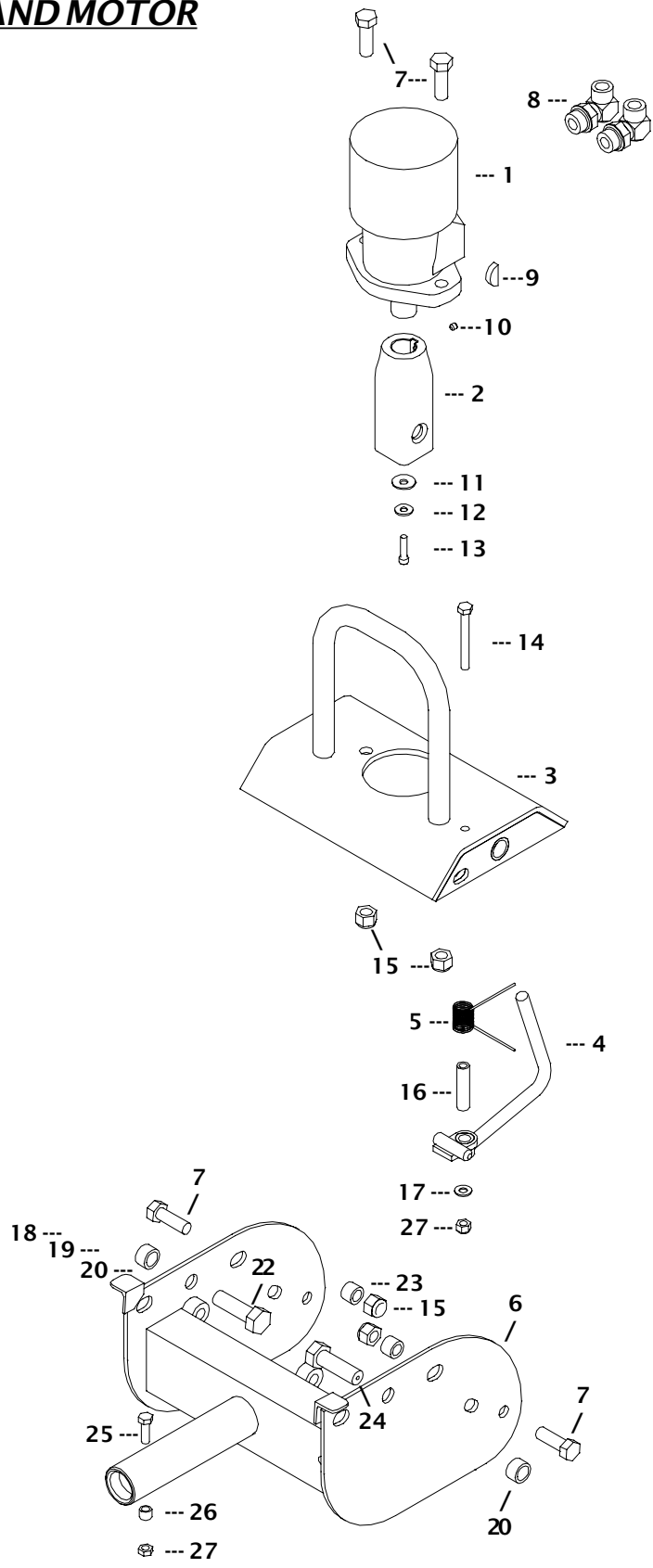


SPINE & VALVE ASSEMBLY

<u>ITEM</u>	<u>PART #</u>	<u>DESCRIPTION</u>	<u>QTY</u>
1	37022	Spine Assembly	1
2		Hydraulic Tank (see page P-10 for breakdown)	1
3	37004	Wheel Assembly (see page P-11 for breakdown)	2
4	37000	Axle Assembly (includes Wheels	1
	37001	Axle ONLY	1
5	37162	Hose, Tank to Pump	1
6	37157	Hose, Valve to Tank	1
7	37141	Valve, 4-way with Relief	1
8	37082	Angle, Neck Lock	1
9	37165	Cap, Filler Breather	1
10	37085	Neck Lock Screw	1
11	37088	Knob, Handle	2
12	37155	Adaptor #6410-6-8	2
13	30204	Nut, Hex 1/4 w/Nylon Lock	2
14	37171	Pin, Clevis, 3/16 x 3/4	2
15	37138	Clevis, 5/16 NC	1
16	3002-D	Nut, Hex 5/16	1
17	30179	Cotter Pin, 3/32 x 5/8	1
18	37134	Nut, 1/2 Slotted	2
19	30408	Bolt, 1/2 x 1-1/2 Hex	4
20	37181	Pin, Ball Lock, 3/8	1
21	37133	U-Bolt, 1/2"	1
22	30163	Cotter Pin, 1/8 x 1	2
23	5076	Bolt, 1/4 x 2 Hex	2
24	30196	Reducer, 3/4 x 1/2	1
25	30270-3	Clamp, Hose	1
26	9024-1	Bolt, 5/16 x 1 Hex	2
27	37123	Bushing	2
28	30158	Nut, 1/2 Hex w/Nylon Lock	2
29	6533	Bolt, 1/2 x 2-1/2 Hex	2
30	4033-1	Washer, Flat #10	1
31	37151	Hose Assembly, Valve to Motor, Left Hand	1
32	37150	Hose Assembly, Valve to Motor, Right Hand	1
33	KT039	Roll Pin, 3/16 x 1	



HEAD, NECK AND MOTOR ASSEMBLIES

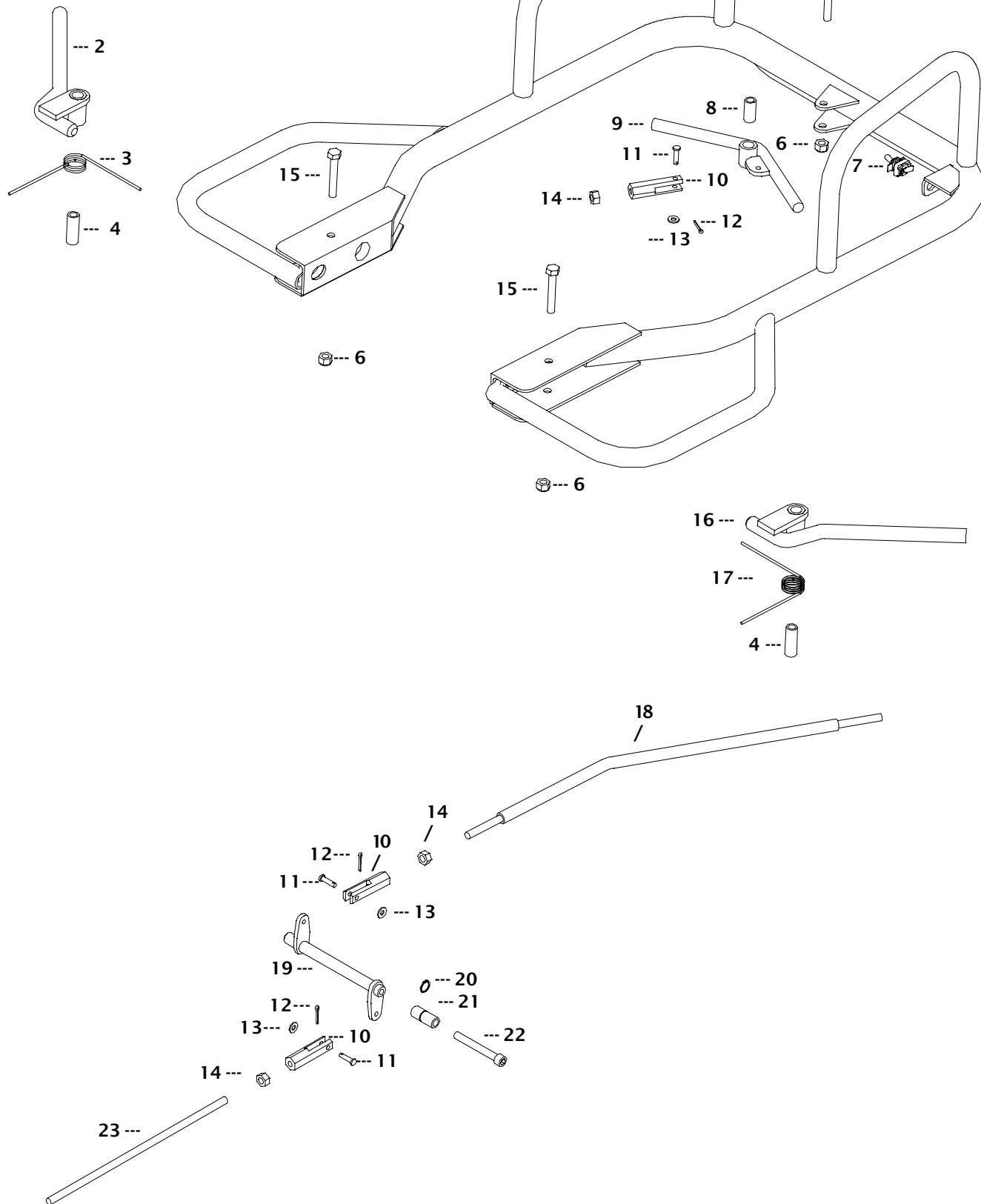


HEAD, NECK AND MOTOR ASSEMBLIES

<u>ITEM</u>	<u>PART #</u>	<u>DESCRIPTION</u>	<u>QTY</u>
1	30191-S2	Motor, 103-1028, 150RPM	1
	30191-5	Motor, 103-1029, 125RPM	1
2	30272	Adaptor, (includes hardware)	1
3	37053	Head Weldment	1
4	37075	Lever, Head Lock	1
5	37145	Spring, Head Lock	1
6	37046	Neck Weldment	1
7	30408	Bolt, Hex 1/2 x 1-1/2	4
8	30299	Fitting, O-Ring	2
9	30182	Key, Woodruff #806	1
10	9021	Set Screw, 1/4 x 1/4	1
11	10520	Washer, Disc Spring	1
12	10304	Washer, 1/4 Flat	1
13	30010	Screw, 1/4 x 1 Socket Head Cap	1
14	37132	Bolt, 5/16 x 2-3/4 Hex	1
15	30158	Nut, 1/2 Hex w/Nylon Lock	4
16	37131	Bushing	1
17	10305	Washer, 5/16 Flat	1
18	36412	Nut, 5/16 Hex w/Nylon Lock	2
19	37172	Washer, 5/8 Flat SAE	2
20	37127	Bushing	2
22	37128	Bolt, 5/8 x 2 Hex	1
23	37126	Bushing	2
24	37130	Bolt, 5/8 x 2 Hex with hole	1
25	9024-1	Bolt, 5/16 x 1 Hex	1
26	37125	Bushing	1
27	37182	Nut, 5/16 Hex Top Lock	1



HANDLE AND ROCK SHAFT LINKAGE

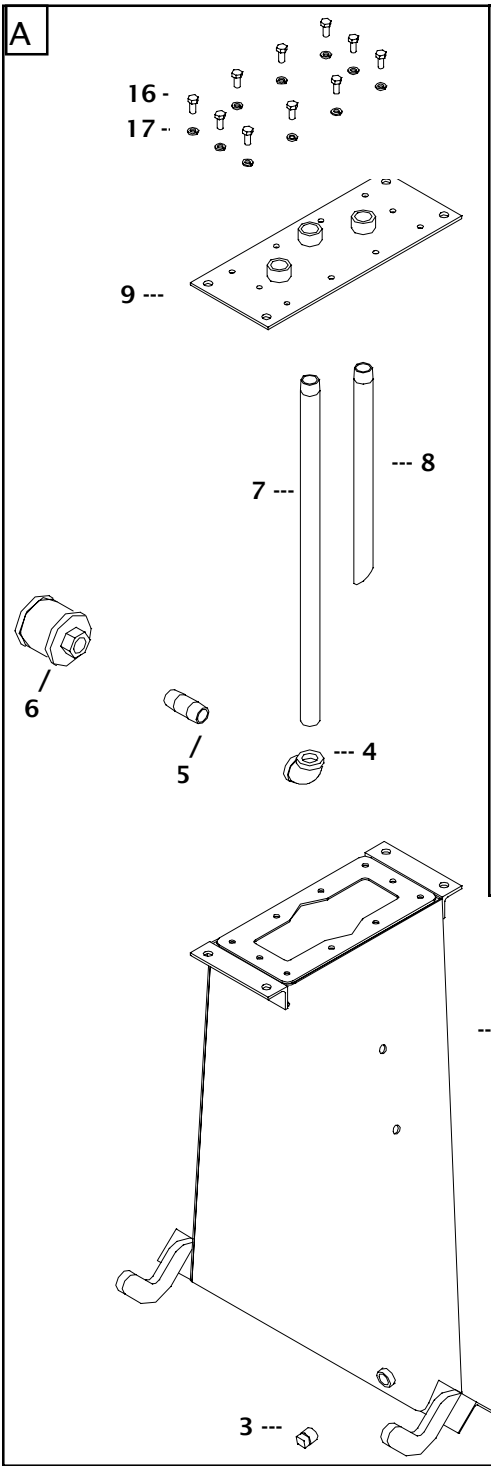
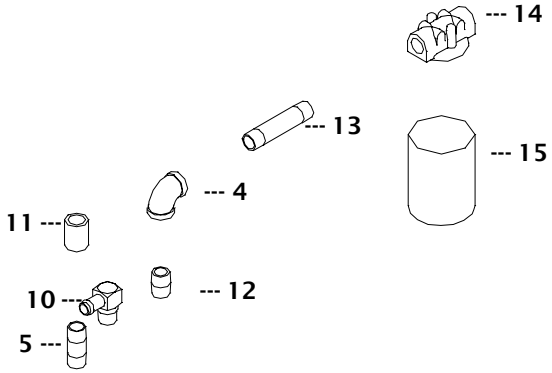


HANDLE AND ROCK SHAFT LINKAGE

<u>ITEM</u>	<u>PART #</u>	<u>DESCRIPTION</u>	<u>QTY</u>
1	37061	Handle Weldment	1
2	37101	Handle Lock, Left	1
3	37144	Spring, Handle Lock Left	1
4	37140	Bushing	2
5	3002-A	Bolt, Hex 5/16 x 1-3/4	1
6	30318	Nut, Hex 5/16 w/Nylon Lock	3
7	10470	Kill Switch Assembly	1
8	37137	Bushing	1
9	37093	Lever, Valve	1
10	37138	Clevis, 5/16 NC	3
11	37171	Pin, Clevis, 3/16 x 3/4	3
12	30179	Cotter Pin, 3/32 x 5/8	3
13	4033-1	Washer, Flat #10	3
14	3002-D	Nut, Hex, 5/16	3
15	3010-9	Bolt, Hex, 5/16 x 2	2
16	37100	Handle, Lock, Right	1
17	37143	Spring, Handle Lock Right	1
18	37097	Link, Lever	1
19	37089	Rockshaft	1
20	37135	Retaining Ring, External 13	1
21	37092	Bar, Rockshaft End	1
22	37136	Cap Screw, Socket Head 5/16 x 2	1
23	37146	Link, Valve	1



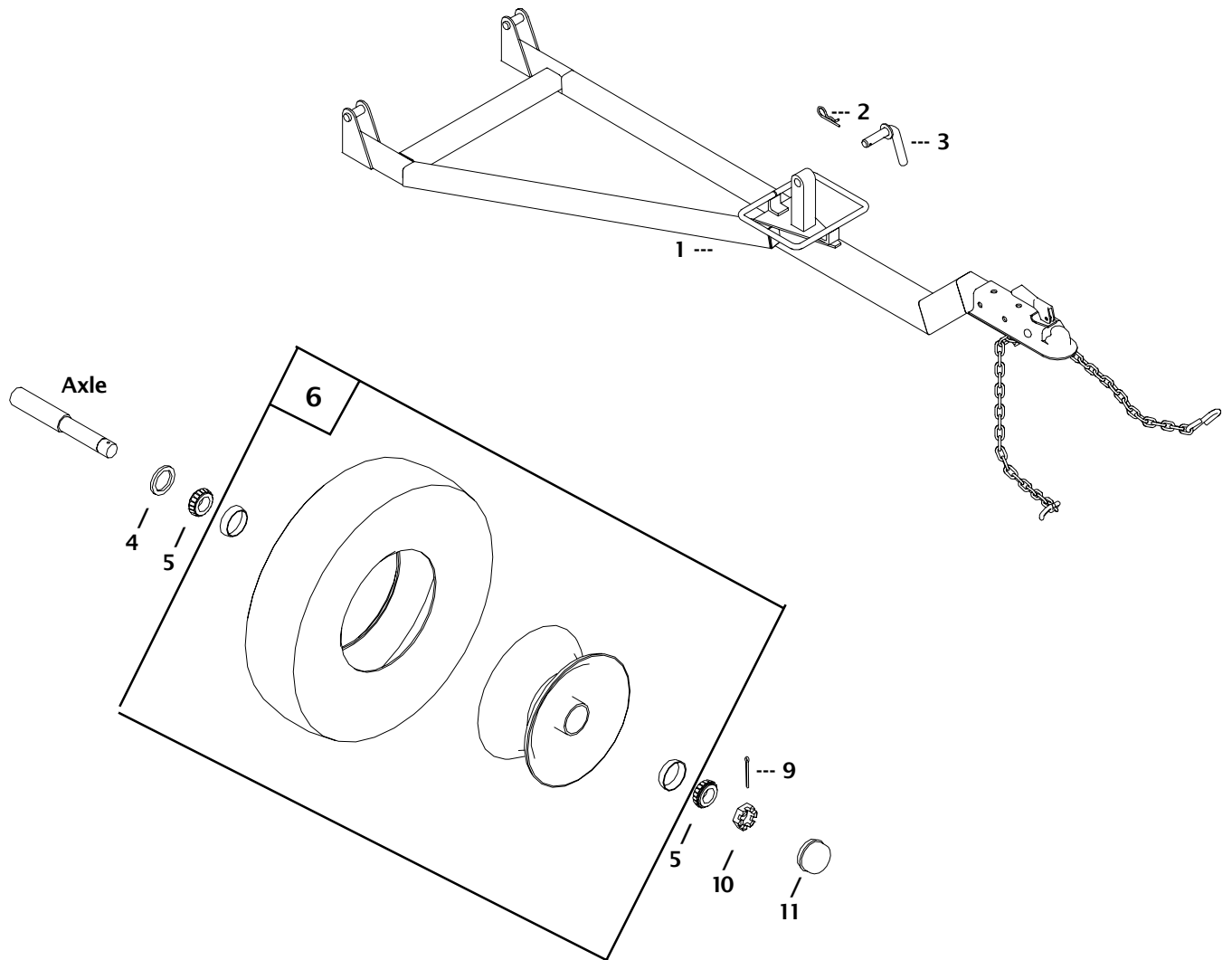
HYDRAULIC TANK ASSEMBLY



ITEM	PART #	DESCRIPTION	QTY
A	37005	Hydraulic Tank Assy Complete	1
1	37006	Hydraulic Tank Weldment	1
2	30262	Sight Gauge Assembly	1
3	30159	Plug, Magnetic, 1/2	1
4	30312	Elbow, 3/4 Standard	2
5	30310	Nipple, 3/4x2-1/2	2
6	30266	Strainer, Suction	1
7	37020	Pipe, Inlet	1
8	37019	Pipe, Return	1
9	37016	Lid, Hydraulic Tank	1
10	35286	Elbow, 90, 3/4 NPT	1
11	9-30023	Coupling, 3/4 NPT	1
12	35290	Nipple, Close, 3/4 NPT	1
13	37021	Pipe, Return Filter	1
14	30281	Filter Base	1
15	30280	Filter	1
16	3012-1T	Bolt, Hex 5/16 x 3/4	10
17	3002-C	Washer, Lock 5/16	10



HITCH AND WHEEL BREAKDOWN



<u>ITEM</u>	<u>PART #</u>	<u>DESCRIPTION</u>	<u>QTY</u>
1	37105	Hitch	1
2	9059-1	Cotter, hairpin	1
3	36433	Pin	1
4	37004-3	Seal	1
5	37004-4	Bearing, Cone	2
6	37004	Tire Assembly	2
9	37004-7	Cotter Pin	1
10	37004-6	Nut, Spindle, 1-14	1
11	37004-8	Cap, Grease	1

