

PS-16/18 HYDRAULIC POWER UNIT

PARTS INFORMATION

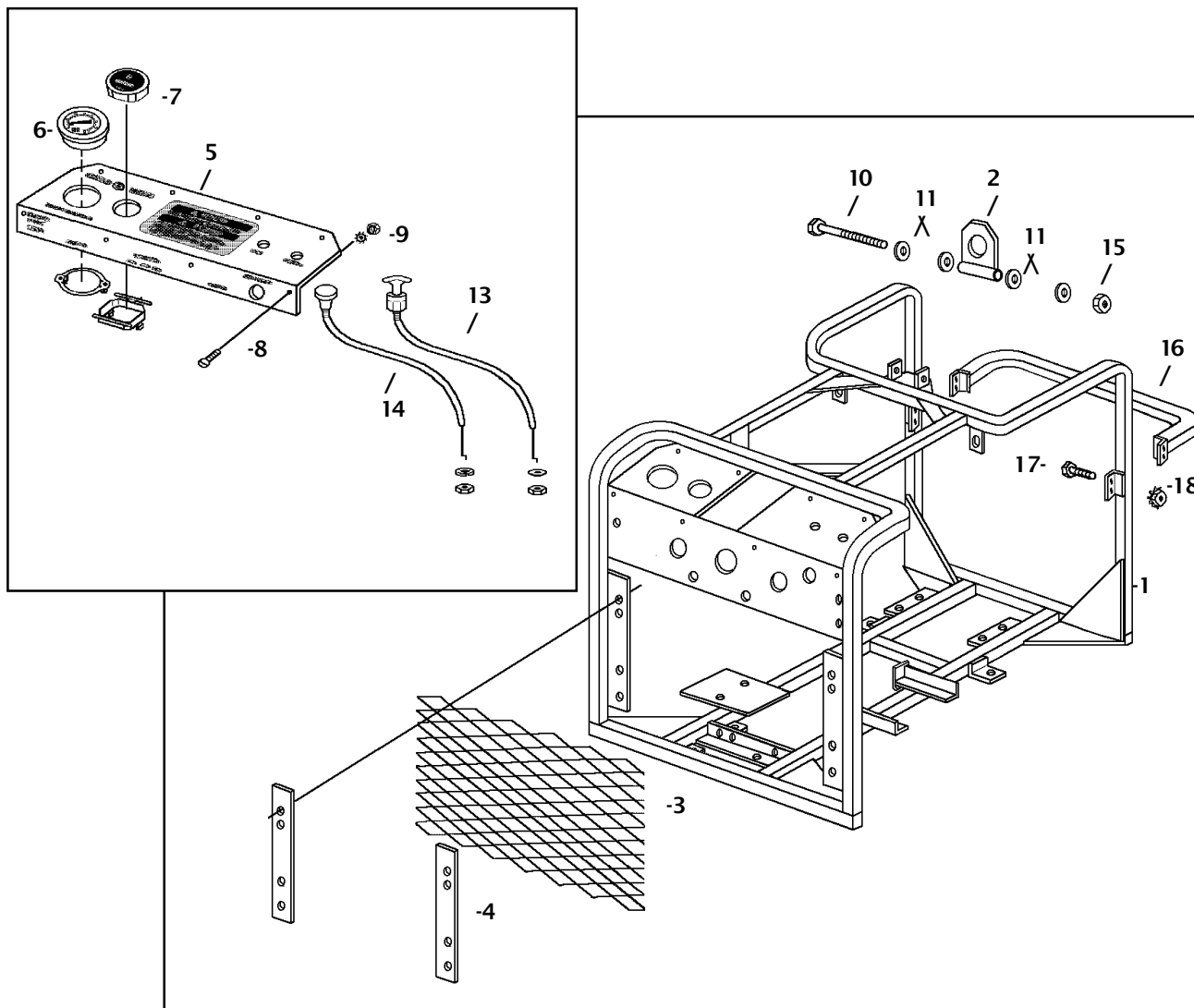
TABLE OF CONTENTS

Page

P-2	Frame Assembly & Panel
P-3 & 4	Cooler & Tanks
P-5 & 6	Pump & Valve
P-7	2-Wheel Kit
P-8	3-Wheel Kit
P-9	Wiring Diagram



FRAME ASSEMBLY



ITEM	PART #	DESCRIPTION	QTY
1	35000	Frame, Power Source	1
2	35145	Lift Eye	1
3	35160	Grill	1
4	35161	Plate, Grill Mounting	2
5	35205	Front Control Panel	1
6	35210	Pressure Gauge	1
7	35215	Hour Meter	1
8	4034-A	Machine Screw, 10-32 x 5/8" Round pltd.	8
9	4034-3	Nut, Hex, 10-32 pltd.	8
10	35305	Cap Screw, Hex NC, 1/2" x 4" pltd.	1
11	30153	Flat Washer, 1/2"	4
13	35225	Control, Throttle, Turn to Lock	1
14	35220	Control, Choke, Push-Pull	1
15	30158	Nut, 1/2" Nylon Lock	1
16	35001	Guard, Rear	1
17	3012-1T	Cap Screw, 5/16" x 3/4"	4
18	3002-KEP	Nut, 5/16" KEP	4

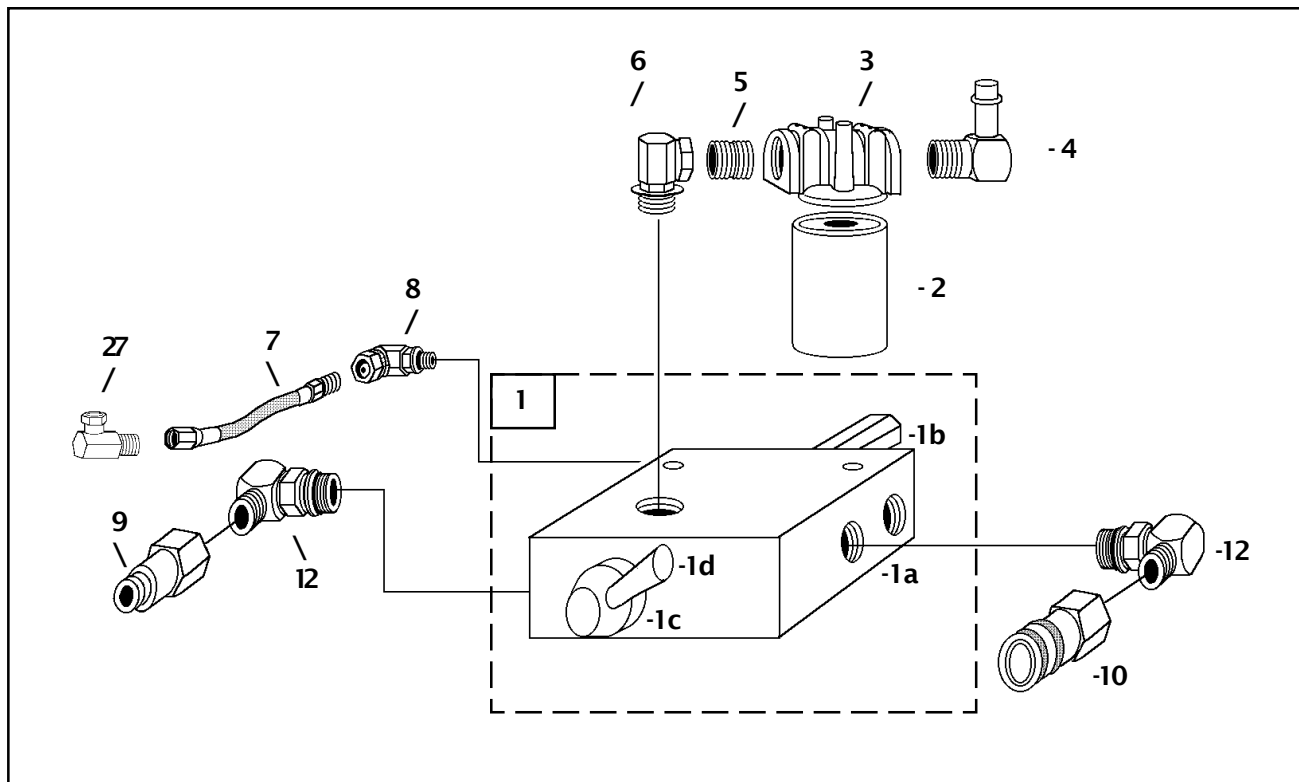
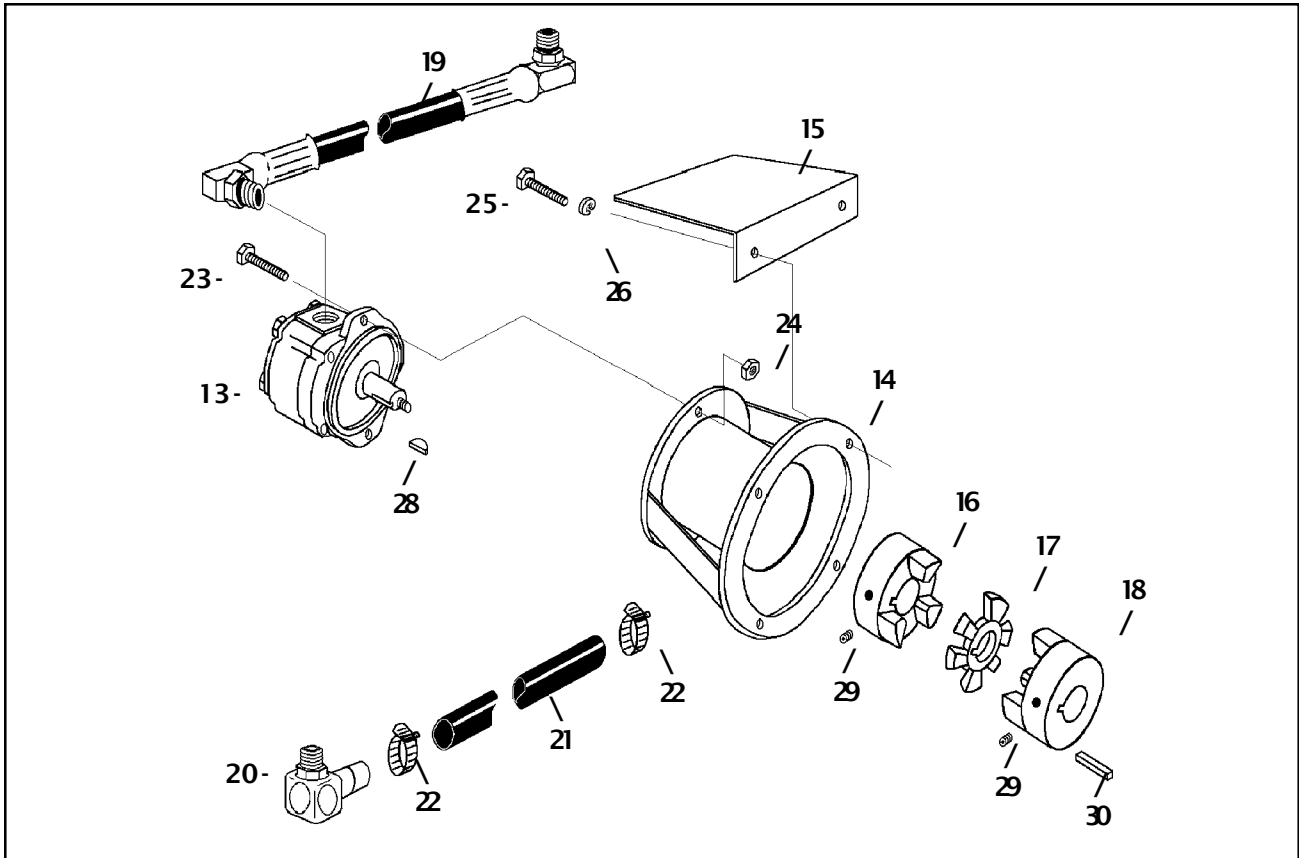


COOLER & TANKS

<u>ITEM</u>	<u>PART #</u>	<u>DESCRIPTION</u>	<u>QTY</u>
1	35240	Fuel Tank	1
2	35241	Fuel Cap	1
3	35165	Heat Shield	2
4	4063	Fuel Valve	1
5	4062	Clamp, Fuel Line	2
6	35300	Hose, Fuel Line	1
7-A	35235	Hydraulic Reservoir Kit	1
7	35235-P	Hydraulic Reservoir, w/SAE O-Ring Inserts	1
8	35239	Cap, Filler/Breather, 1-1/4 x 3/4 NPT	1
9	35237	Strainer, Tank-Mounted	1
	35292	Strainer, 1-5/8 SAE O-Ring x 1-1/16 SAE O-Ring	1
10	35286	Elbow, 90 , 3/4" NPT x 3/4" Beaded Hose	4
	35280	Elbow, 90, 1-1/16 SAE O-Ring x 3/4 Beaded Hose	1
11	30159	Magnetic Plug	1
12	35250	Heat Exchanger	1
13	35251	Mounting Kit, Heat Exchanger	2
14	35255	Fan Assembly	1
15	35287	Elbow, 45 , 3/4" NPT x 3/4" Beaded Hose	1
17	30270-3	Clamp, Hose	6
18	35276	Hose, Filter to Cooler	1
19	35277	Hose, Cooler to Tank	1
21	3012-1T	Cap Screw, 5/16" x 3/4"	2
22	3002-C	Lock Washer, 5/16"	4
23	3002-B	Flat Washer, 5/16"	4
24	35295	Magnetic Plug, 3/4" SAE O-Ring	1
25	35242	Clamp, Valve, Stainless Steel	1
26	9024-1	Cap Screw, 5/16" x 1"	2
27	35293	Fitting, 1-5/8 SAE O-Ring X 3/4 NPT	1
28	35286	Elbow, 90, 3/4" NPT x 3/4" Beaded Hose	4
	35294	Elbow, 90, 7/8 SAE O-Ring, 3/4 Beaded Hose	1



PUMP & VALVE



<u>ITEM</u>	<u>PART #</u>	<u>DESCRIPTION</u>	<u>QTY</u>
1	35230	Manifold Valve Assembly	1
1a	35231	Manifold Valve, ONLY	1
1b	35232	Relief Valve, ONLY	1
not pictured	35232-1	Seal Kit, Relief Valve	1
1c	35233	Bypass Control Valve, ONLY	1
not pictured	35233-1	Seal Kit, Bypass Control Valve	1
1d	35234	Handle ONLY, Bypass Control Valve	1
2	30280	Filter Element	1
3	30281	Filter Base	1
4	35286	Elbow, 90 , 3/4 NPT x 3/4 Beaded Hose	1
5	35290	Nipple, Close	1
6	35283	Swivel, Female 90 ,	1
7	35265	Teflon Hose Assembly	1
8	35284	Swivel, 1/4"	1
9	35261	Quick Disconnect, Male	1
10	35260	Quick Disconnect, Female	1
12	35282	Elbow, 90 deg, 7/8" x 1/2" NPT Male	2
13	35245	Pump	1
14	35110	Bracket, Pump Mounting	1
15	35155	Support, Tank	1
*16	30267-58	Flexible Coupling, Pump End, 5/8"	1
17	30269	Flexible Coupling, Spider	1
18	30268	Flexible Coupling, Engine End, 1"	1
19	35273	Pressure Hose, Pump to Valve	1
20	35280	Elbow, 90 , 1-1/16" O-Ring x 3/4" Beaded Hose	1
21	35275	Hose, Tank to Pump	3
22	30270-3	Clamp, Hose	6
23	9027-8	Cap Screw, Hex NC, 3/8" x 1 1/4"	2
24	30154	Lock Nut, 3/8"	2
25	3012-2	Cap Screw, Hex NC, 3/8" x 1"	2
26	3012-3	Lock Washer, 3/8"	2
27	35285	Elbow, 90 deg, 1/4" NPT x 1/4" Swivel	1
28	4019	Key	1
29	30171	Set Screw, Socket Head, 5/16" x 5/16" NC	2
30	35246	Key, Hydraulic Gear Pump	1

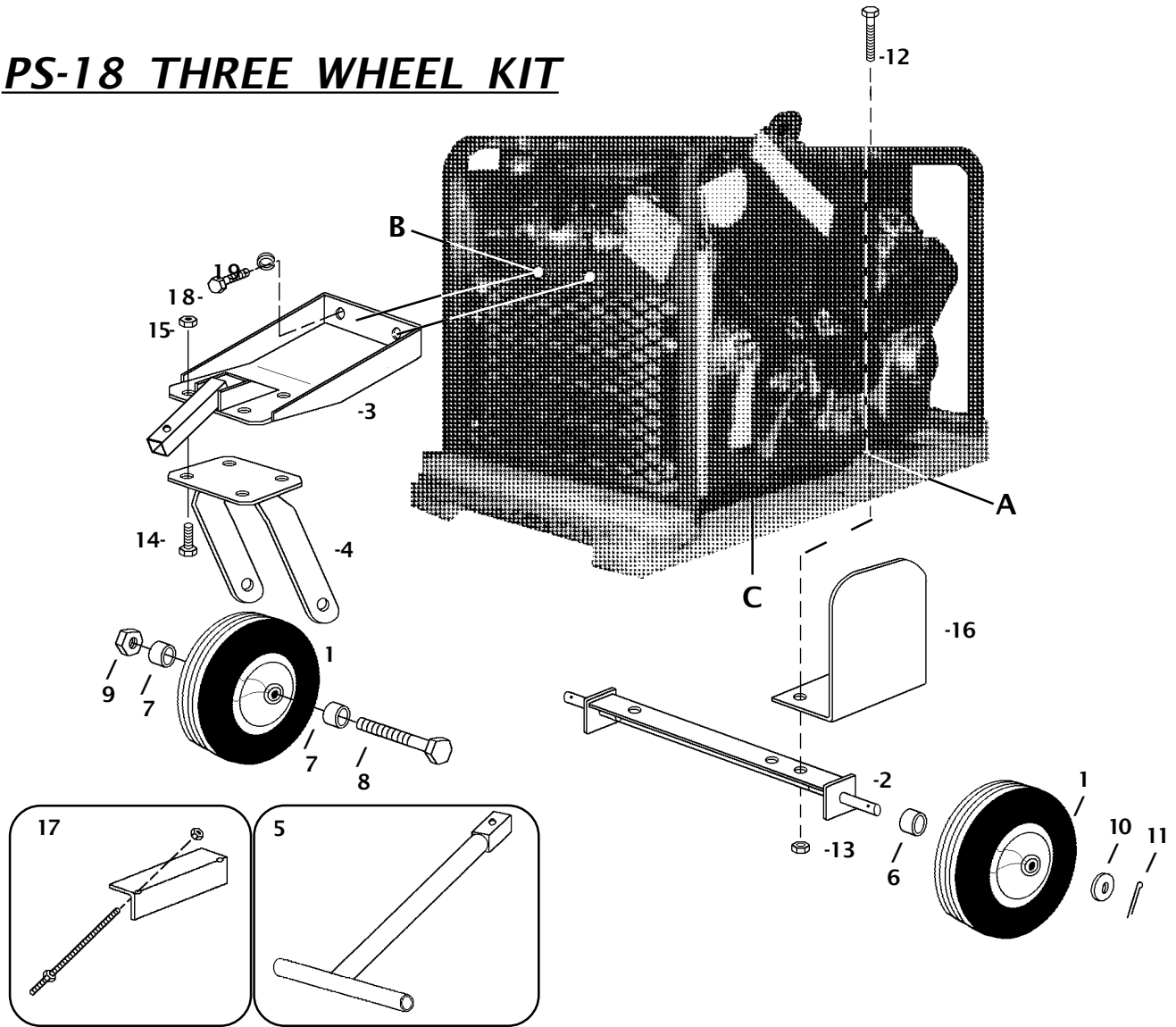
Cross Reference Hydraulic Return Line Filter Part Numbers are as follows:

Parker #921999-10C
 Zinga #AE-10
 Ripley #DP-752-10
 Amback #S-28
 Fram #P-1653-A

*All machines purchased prior to January 1998 - order Part #30267-D - 11/16" bore



PS-18 THREE WHEEL KIT



<u>ITEM</u>	<u>PART #</u>	<u>DESCRIPTION</u>	<u>QTY</u>
1	30348	Wheel, 12" Diameter, 3/4" Bore	3
2	35115	Axle, Rear	1
3	35119	Bracket Assembly, Front Wheel	1
4	30253-A	Swivel Assembly	1
5	35149	Handle Assembly	1
6	35175	Bushing, Spacer	2
7	30351	Spacer, Swivel Wheel	2
8	30155-A	Cap Screw, 3/4" x 6", Hex NC pltd.	1
9	9096	Nut, NC, 3/4"	1
10	30164	Flat Washer, 3/4"	2
11	30163	Cotter Key, 1/8" x 1"	2
12	30408	Cap Screw, Hex NC, 1/2" x 1 1/2" pltd.	2
13	30158	Nut, Axle, 1/2"	2
14	3012-2	Cap Screw, Hex NC, 3/8" x 1" pltd.	4
15	30154	Nut, Hex NC, 3/8"	4
16	35170	Heat Shield	1
17	35196	Bracket, Battery mounting	1
18	30408	Bolt, 1/2" x 1 1/2"	2
19	35312	Lock Washer, 1/2"	2



WIRING DIAGRAM

